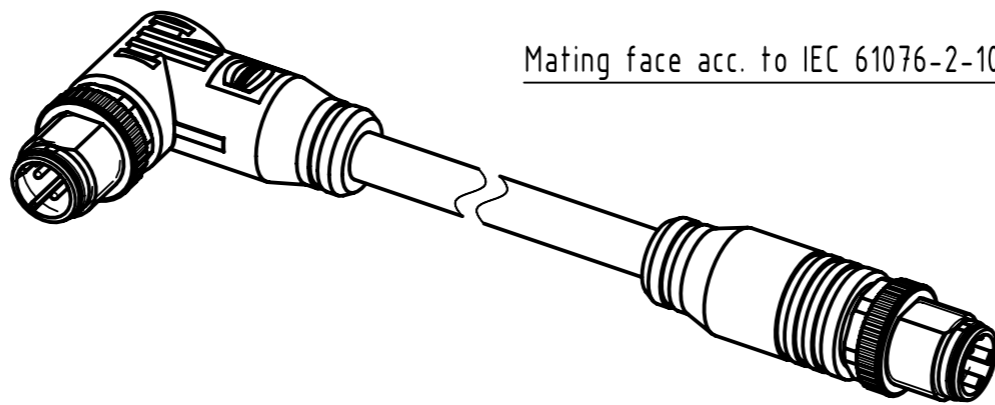
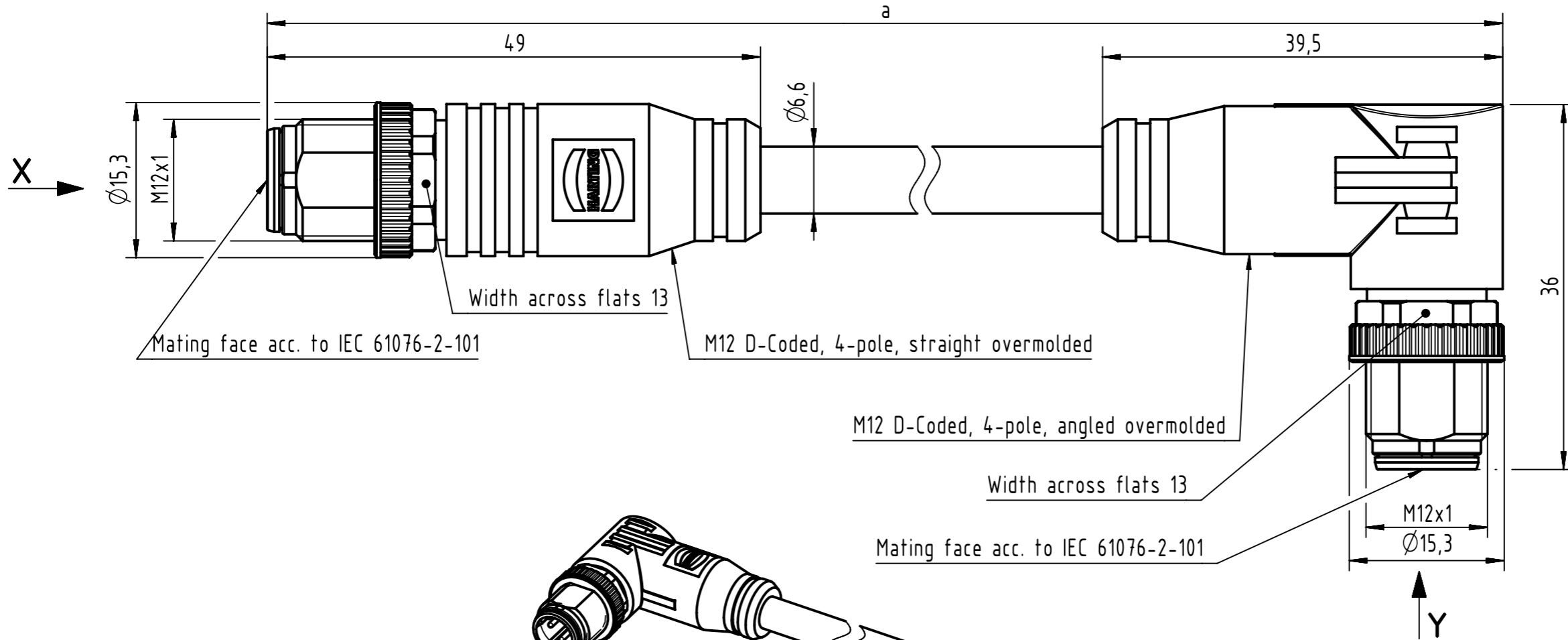


Connector Location A

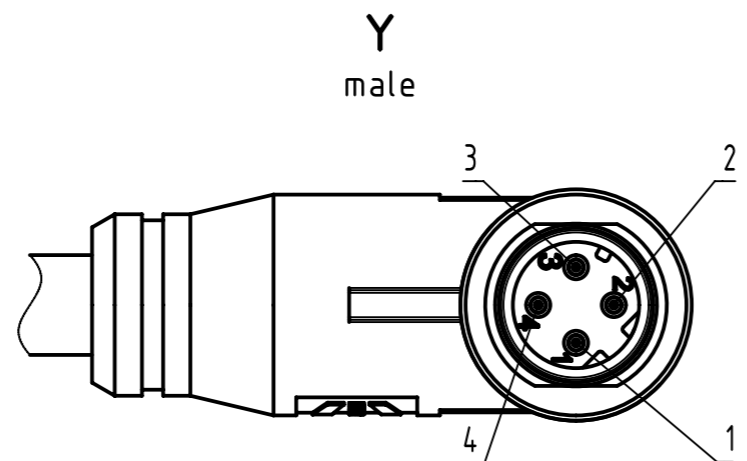
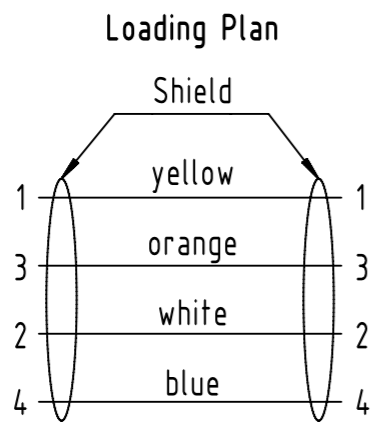
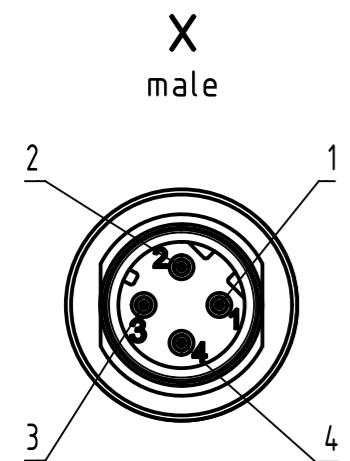
Connector Location B



length in "1m" step	100	XXX=000
	99	XXX=990
	.	.
	12	XXX=120
	11	XXX=110
length in "0.1m" step	10	XXX=100
	9.9	XXX=099
	9.8	XXX=098
	.	.
	0.5	XXX=005
	0.4	XXX=004
	0.3	XXX=003
	0.2	XXX=002
Step	a [m]	XXX

6.0 to 100	±1%
0.6 to 5.9	+0.04
0.2 to 0.5	+0.02
a [m]	Tolerance

Ha-Vis EtherRail 4xAWG 22/7 CAT5 black	09482280011XXX
Type of cable	Part no.



- Protection level: IP65/67
- Temperature range: -40°C ... +85°C

	All rights reserved Department HCS - RO	Created by 407576 Stoica	Inspected by 402676 Gross	Standardisation MUNTEANV Muntean	Date 2022-07-19	State Final Release
	Title M12 D-cod 4-pol st/an m/m Rail		Type TB		Number 09482280011XXX	
HARTING Customised Solutions D-32339 Espelkamp			Doc-Key / ECM-Nr. 100223119/UGD/163/B 500000221335		Rev. B	Page 1/1